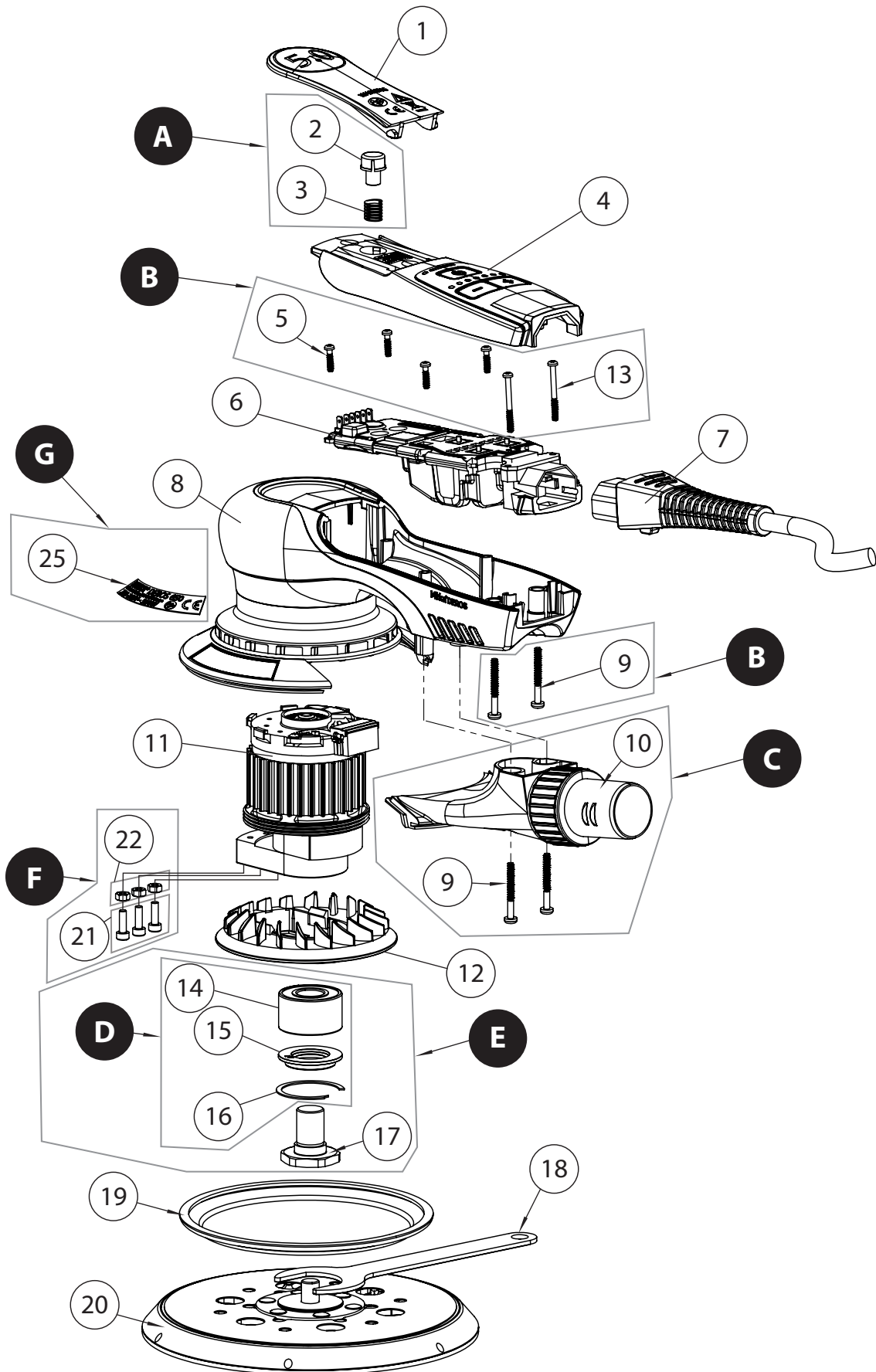


Exploded view of DEROS II 125 mm, 150 mm & 175 mm (220-240V)

Updated 07.03.2023



DEROS II 125 mm, 150 mm & 175 mm Spare Part kits (220-240V)

Electrical tool must be serviced by a qualified repair person and in accordance with national requirements.

Note! Repairs done by non-authorized repairer will breach the Mirka warranty.

Mirka Code	Item	Description	Kit	Qty	Tightening Torque
MIE6520211		Start Button kit			
	2	Start Button	A	1	
	3	Start Button Spring		1	
MIE6520511		Screw kit			
	5	Screw 2.5 x 10 mm	B	4	0,6 Nm/0,4 ft-lb
	9	Housing Screw 3 x 25 mm		2	1,4 Nm/1,0 ft-lb
	13	Screw 2.5 x 25 mm		2	0,6 Nm/0,4 ft-lb
MIE6521011		Swivel Exhaust kit			
	9	Housing Screw 3 x 25 mm	C	2	1,4 Nm/1,0 ft-lb
	10	Swivel Exhaust		1	
MIE6536211		Bearing Dual Seal kit (125 & 150 mm)			
	14	Double Row Bearing	D	1	
	15	Dual Seal Washer		1	
	16	Retaining Ring		1	
MIE6536011		Spindle Bearing Dual Seal kit (125 & 150mm)			
	14	Double Row Bearing		1	
	15	Dual Seal Washer	E	1	
	16	Retaining Ring		1	
	17	Spindle 5/16"		1	
MIE7536011		Spindle Bearing Dual Seal kit (175mm)			
	14	Double Row Bearing		1	
	15	Dual Seal Washer	E	1	
	16	Retaining Ring		1	
	17	Spindle M9		1	
8995690101		Balancing Screw kit			
	21	Screw M3.5 x 10 mm	F	5	
	22	Nut M3.5 mm		3	
		Hex Key 2.5 mm		1	
MIE6565012	25	Type Label kit DEROS II EU (650)	G	10	
MIE7515011	25	Type Label kit DEROS II EU (750)		10	

Separate spare parts on next page.

DEROS II 125 mm, 150 mm & 175 mm Spare Parts (220-240V)

Mirka Code	Item	Description	Kit	Qty	Tightening Torque
MIE6210111	1	Lever 2,5 mm (77 & 150 mm)		1	
MIE6510111	1	Lever 5,0 mm (77, 125 & 150 mm)		1	
MIE6810111	1	Lever 8,0 mm (150 mm)		1	
	2	Start Button	A	1	
	3	Start Button Spring	A	1	
MIE6510412	4	Cover Plate		1	
	5	Screw 2.5 x 10 mm	B	4	0,6 Nm/0,4 ft-lb
MIE6510612	6	Speed Controller*		1	
MIE9016011	7	Rewireable Mains Cable 4,3m CE 230V EU		1	
MIE9017011	7	Rewireable Mains Cable 4,3m CE 230V UK		1	
MIE9017111	7	Rewireable Mains Cable 4,3m CE 230V CH		1	
MIE9017511	7	Rewireable Mains Cable 4,3m CE 230V ANZ		1	
MIE9017611	7	Rewireable Mains Cable 4,3m CE 230V ARG		1	
MIE9017411	7	Rewireable Mains Cable 4,3m 230V CN		1	
MIE6520811	8	Housing		1	
	9	Housing Screw 3 x 25 mm	B,C	2,2	1,4 Nm/1,0 ft-lb
	10	Swivel Exhaust	C	1	
MIE5521111	11	Motor 5,0 mm/100 g Pad (125 mm)*		1	25 Nm/18,4 ft-lb
MIE6221111	11	Motor 2,5 mm/130 g Pad (150 mm)*		1	25 Nm/18,4 ft-lb
MIE6521111	11	Motor 5,0 mm/130 g Pad (150 mm)*		1	25 Nm/18,4 ft-lb
MIE6821111	11	Motor 8,0 mm/130 g Pad (150 mm)*		1	25 Nm/18,4 ft-lb
MIE7521111	11	Motor 5,0 mm/165 g Pad (175 mm)*		1	25 Nm/18,4 ft-lb
MIE65111B1	11-B	Ground Wire		1	
MIE5511211	12	Fan 5,0 mm/100 g Pad (125 mm)		1	
MIE6211211	12	Fan 2,5 mm/130 g Pad (150 mm)		1	
MIE6511211	12	Fan 5,0 mm/130 g Pad (150 mm)		1	
MIE6811211	12	Fan 8,0 mm/130 g Pad (150 mm)		1	
MIE7511211	12	Fan 5,0 mm/165 g Pad (175 mm)		1	
	13	Screw 2.5 x 25 mm	B	2	0,6 Nm/0,4 ft-lb
	14	Double Row Bearing	D,E	1	
	15	Dual Seal Washer	D,E	1	
	16	Retaining Ring	D,E	1	
8995603201	17	Spindle 5/16" (125 & 150mm)	E	1	
	17	Spindle M9 (175 mm)	E	1	
8995604121	18	Pad Wrench 24mm		1	
8995603211	19	Brake Seal		1	
8292502011	20	Backing Pad Net 125 mm 5" 5/16" 28H Medium 100 g		1	
8292502511	20	Backing Pad Net 125 mm 5" 5/16" 28H Medium 130 g		1	
8292605011	20	Backing Pad Net 150 mm 6" 5/16" 48H Medium 130 g		1	
8292703011	20	Backing Pad Net 175mm 7" M9 37H Medium 165g		1	
	21	Screw M3.5 x 10 mm	F	5	
	22	Nut M3.5 mm	F	3	
	25	Type Label	G	1	

* Spare parts only available to authorized repairers.